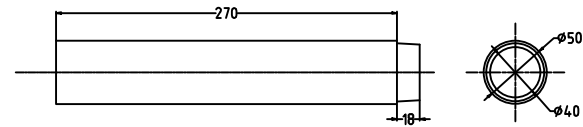
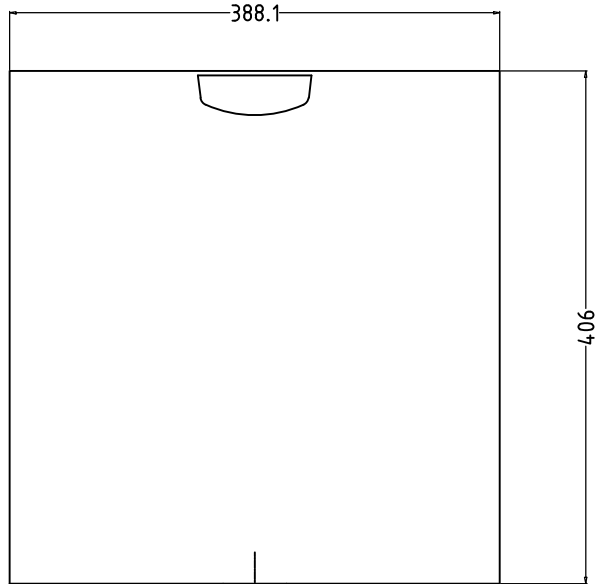


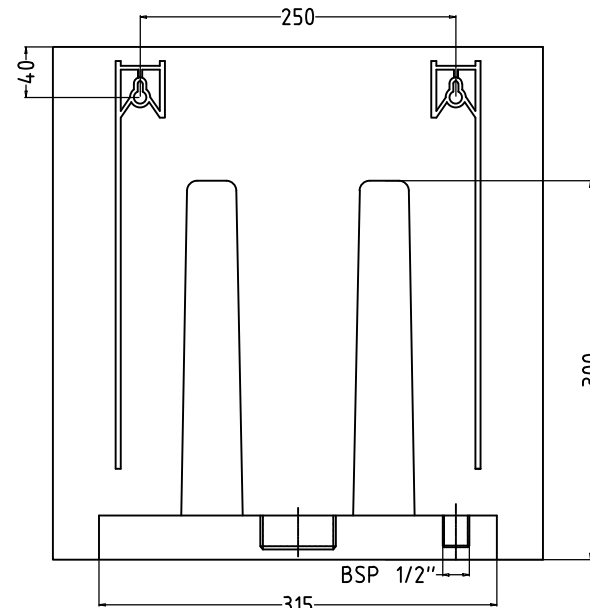
TOP VIEW



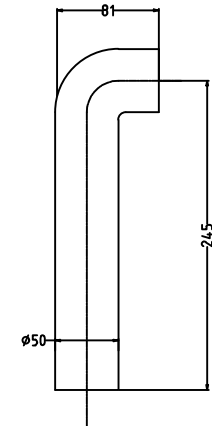
PVC Pipe (02)



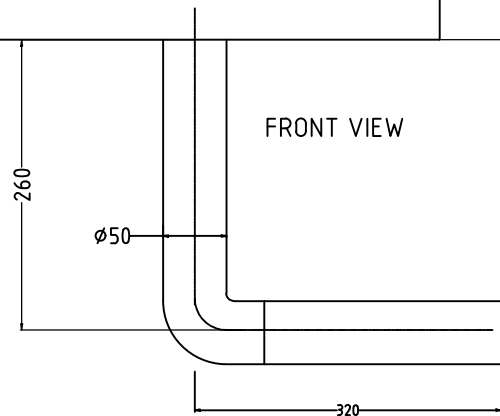
FRONT VIEW



BACK VIEW



Bend Pipe (01)



ALL DIMENSIONS ARE IN MM		<b>HSIL LIMITED</b> BAHADURGARH TRADING DIVISION NH-10 DELHI -ROHTAK ROAD,HARYANA-124507		PRODUCT CAT. NO.:	
SCALE :	NTS			PRODUCT SAP CODE:	
SHEET SIZE:	A4	TITLE: SLENDER-C DESCRIPTION: PVC CISTERN		PRODUCT RAW MATERIAL:	
				UPDATED ON:	
				PRODUCT APPROVED WEIGHT WITH ACCESSORIES:	
REVISION CODE	REASON FOR CHANGE	REVISION DATE	DRAWN & CHACKED BY	VERIFIED BY	APPROVED BY
			ENGINEER	DGM	GM

This Drawing remain the property of HSIL Ltd.TTD.It must not,even in part,be reproduced or may available to an Athorised person without express concerned of HSIL Ltd. TTD and may be used only for agreed purposed