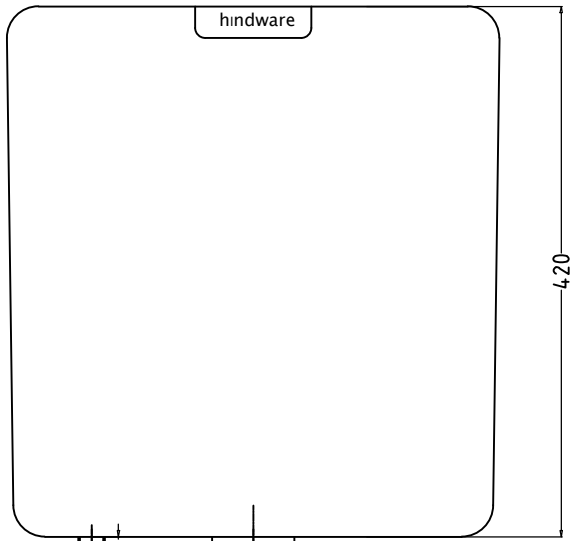
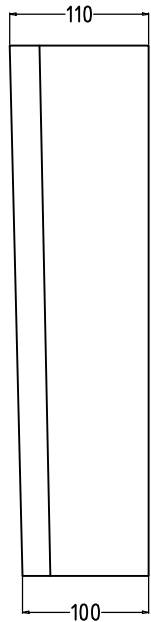
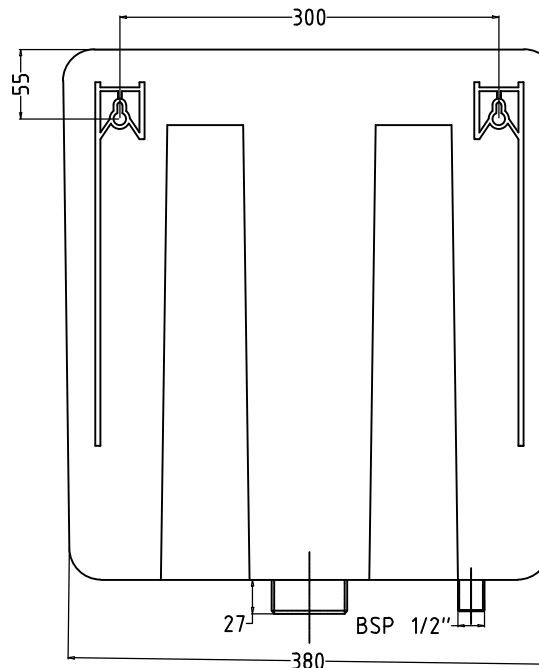


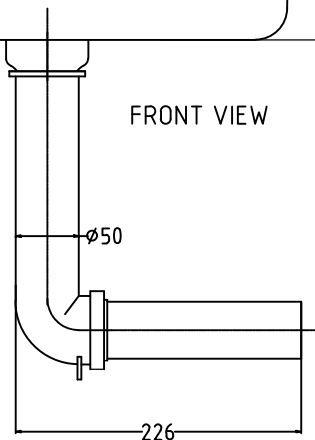
TOP VIEW



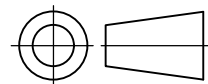
FRONT VIEW



BACK VIEW



ALL DIMENSIONS ARE IN MM
 SCALE : NTS
 SHEET SIZE: A4



HSIL LIMITED
 BAHADURGARH TRADING DIVISION NH-10
 DELHI -ROHTAK ROAD,HARYANA-124507

TITLE: SLENDER
 DESCRIPTION: PVC CISTERN

PRODUCT CAT. NO.:
 PRODUCT SAP CODE: 516366
 PRODUCT RAW MATERIAL: PVC
 UPDATED ON: 17.07.2020

PRODUCT APPROVED WEIGHT
 WITH ACCESSORIES:

REVISION CODE	REASON FOR CHANGE	REVISION DATE	DRAWN & CHACKED BY	VERIFIED BY	APPROVED BY
			ENGINEER	DGM	GM

This Drawing remain the property of HSIL Ltd.TTD.It must not,even in part,be reproduced or may available to an Athorised person without express concerned of HSIL Ltd. TTD and may be used only for agreed purposed