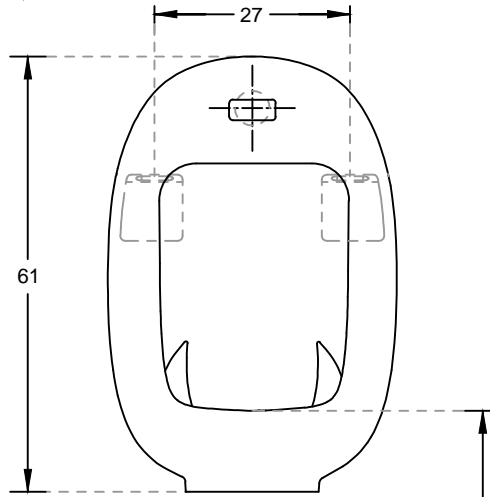



PLAN VIEW



65  
(RECOMMENDED HEIGHT  
FOR ADULTS)

FLOOR

FRONT ELEVATION

		<b>HSIL LIMITED, BAHADURGARH</b>	
CATALOGUE No.: 60018		ITEM DESCRIPTION: SENSO URINAL (39 x 37 x 61 cm)	
DRAWN:		UNIT: CM	
CHECKED:		SCALE: 1:10	
APPROVED:		DRG. No.: URN/007/CF REV. No.: 3	
DATE: 07.04.2011			