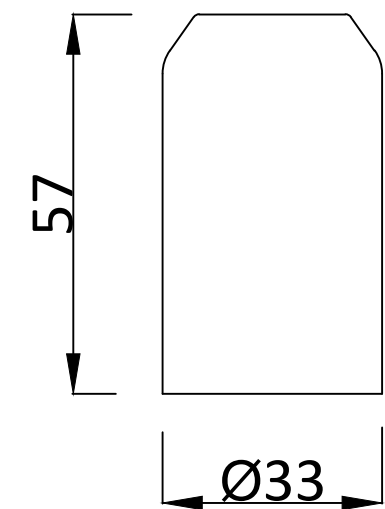
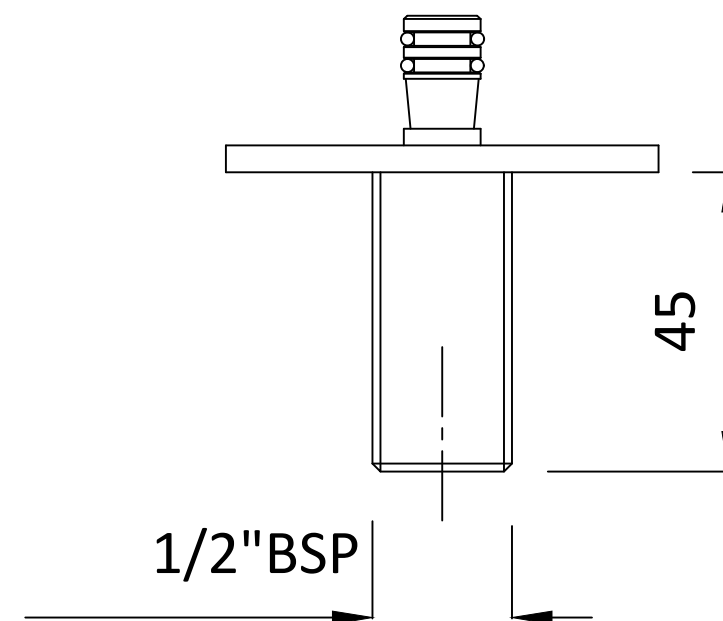
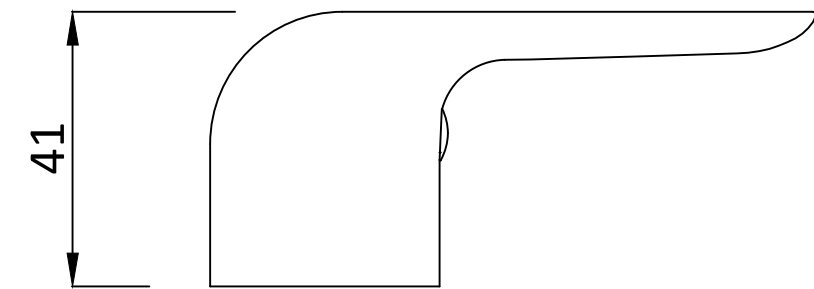
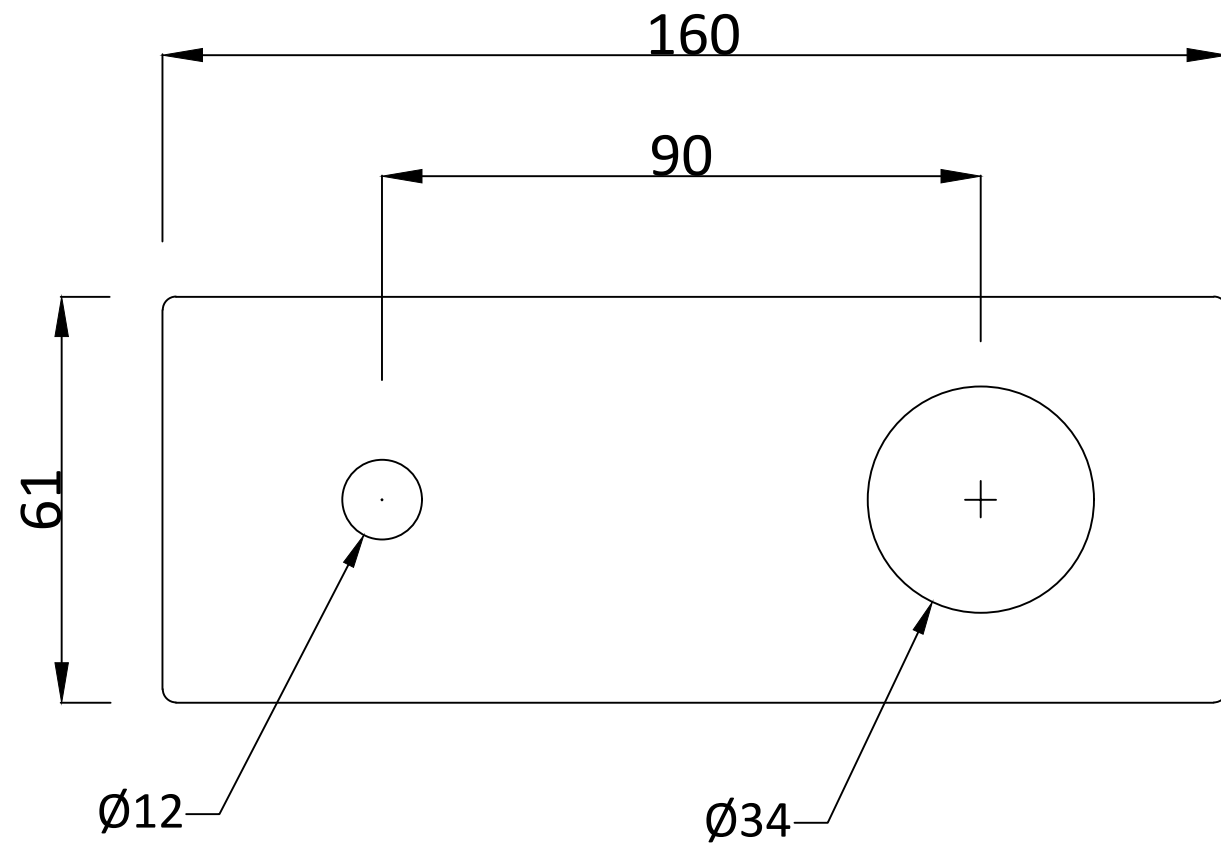
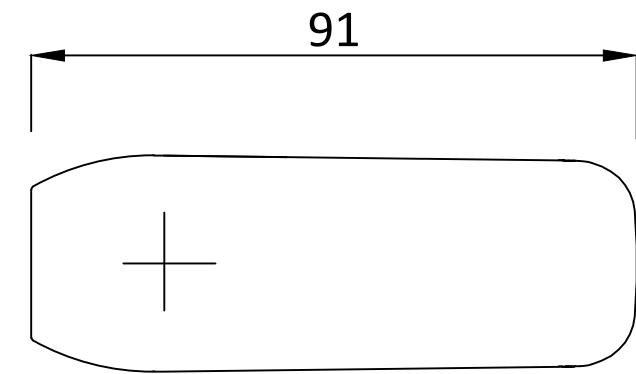
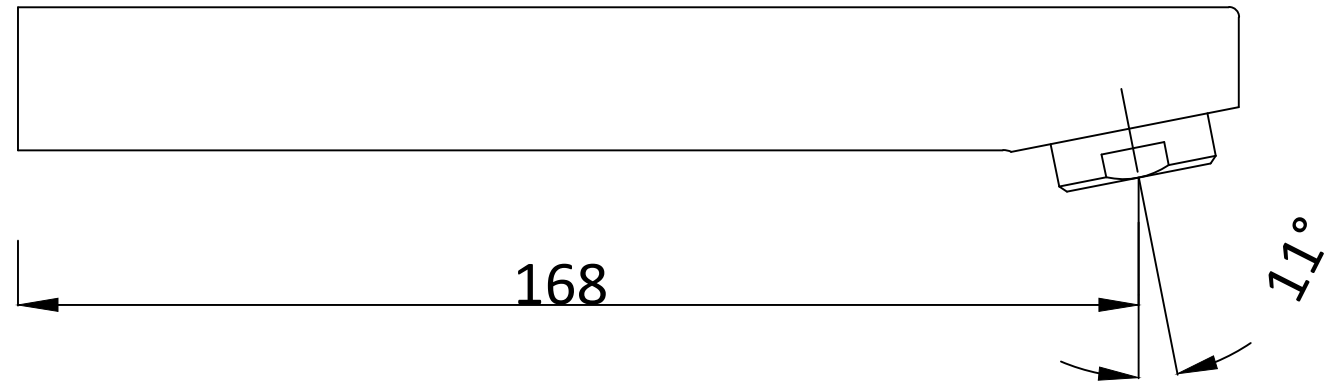


PART DESCRIPTION : EXP. KIT WALL MOUNTED BASIN TAP

CAT NO. F400022CP



RSC