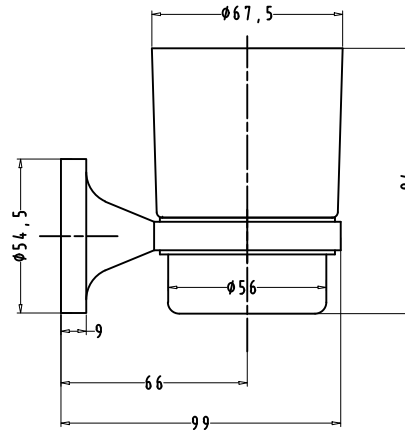
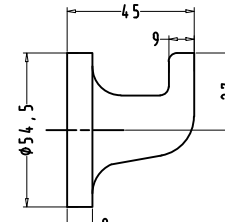


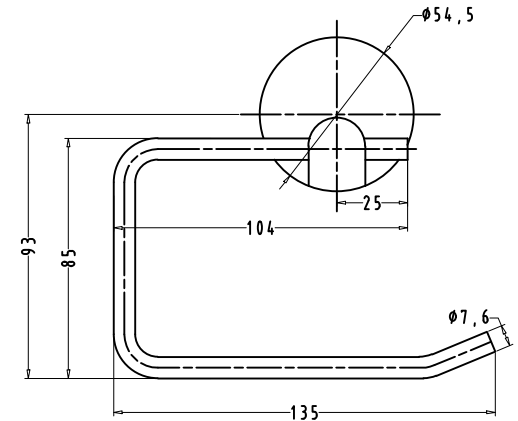
TOWEL RING



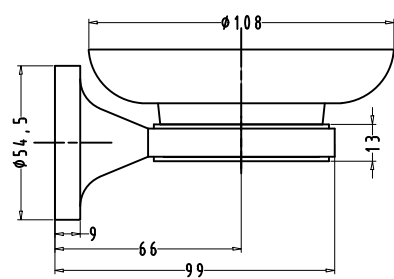
TUMBLAR HOLDER



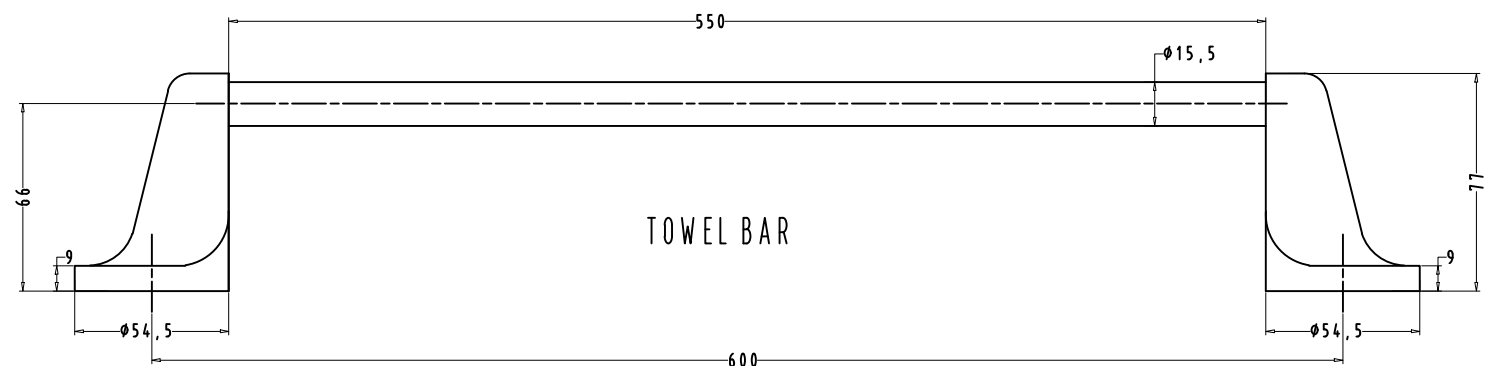
ROBE HOOK



PAPER HOLDER

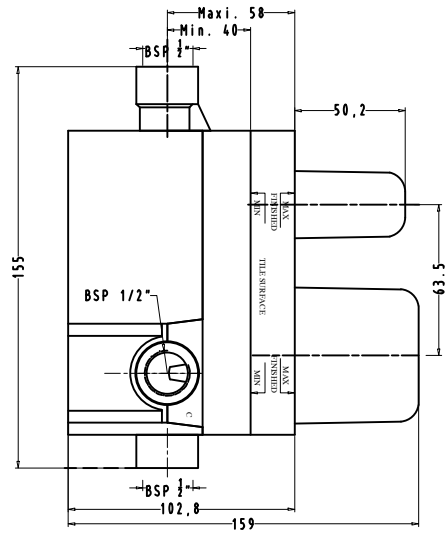


SOAP DISH

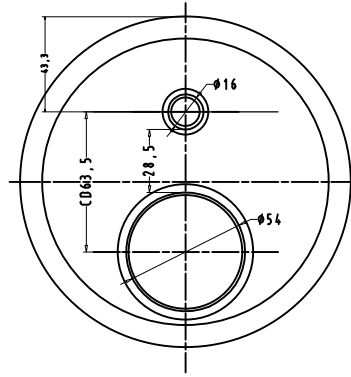


TOWEL BAR

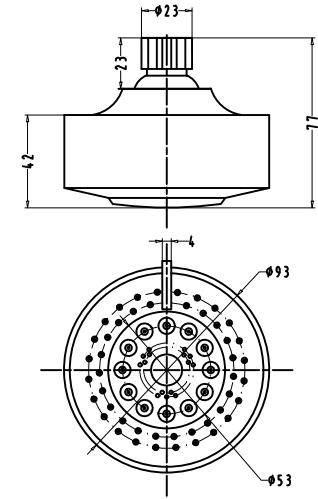
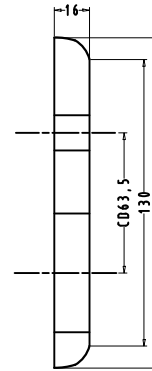
COMBO SET
 CAT. No. F470001
 ACCESSORIES COMBO SET



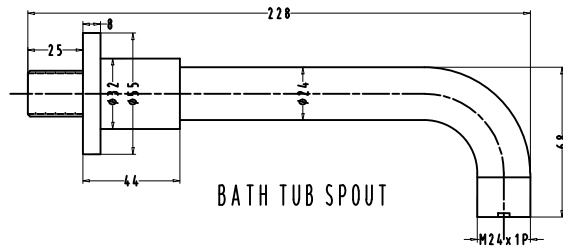
SINGLE LEVER CONCEALED DIVERTOR



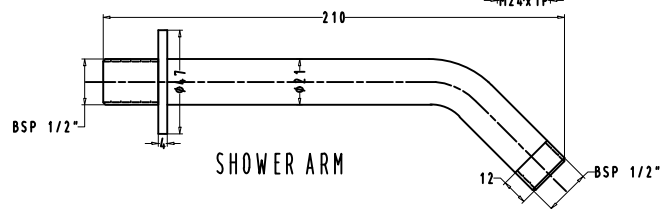
WALL FLANGE



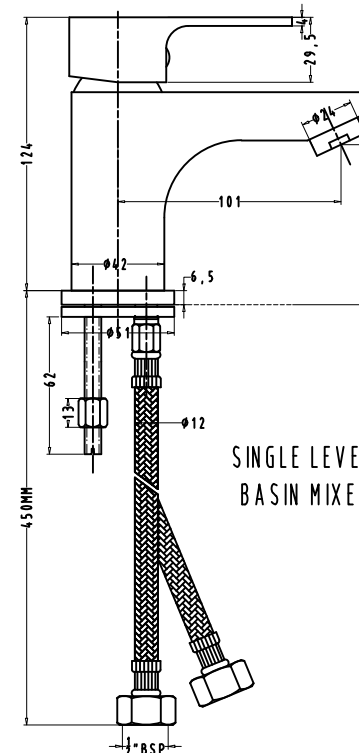
OVER HEAD SHOWER



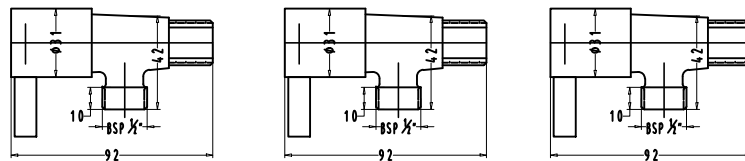
BATH TUB SPOUT



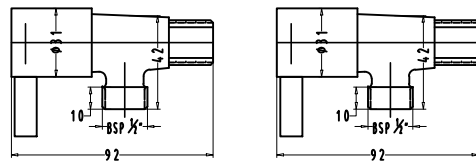
SHOWER ARM



SINGLE LEVER
BASIN MIXER



ANGLE VALVE 05 NOS



COMBO SET
CAT. No. F470001
ACCESSORIES COMBO SET