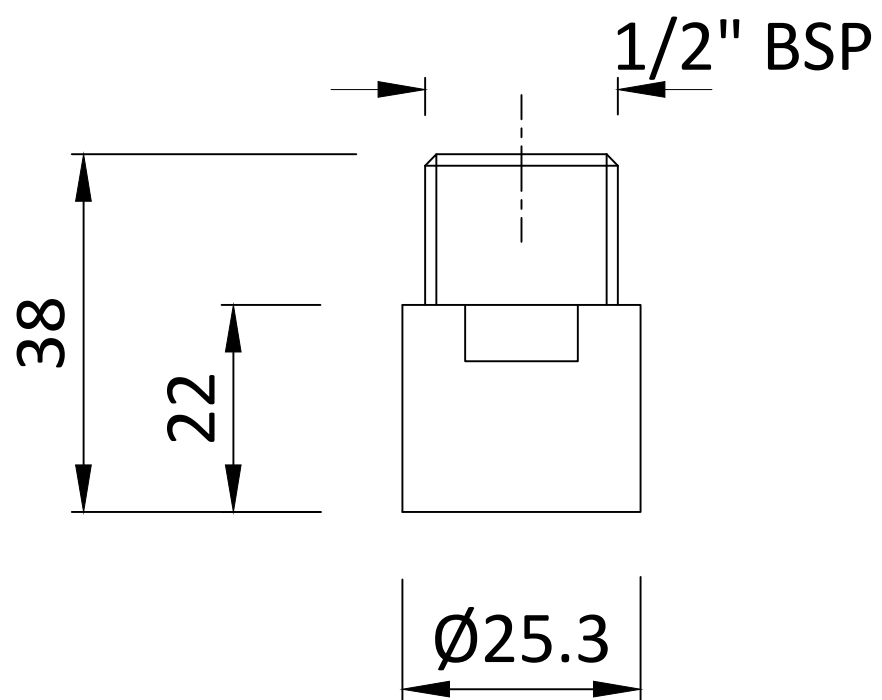
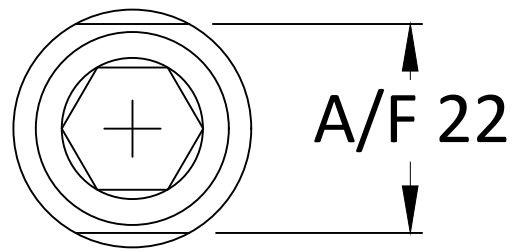


PART DESCRIPTION : Extension Nipple 1-1/2"

CAT NO. : F850101CP



RSC