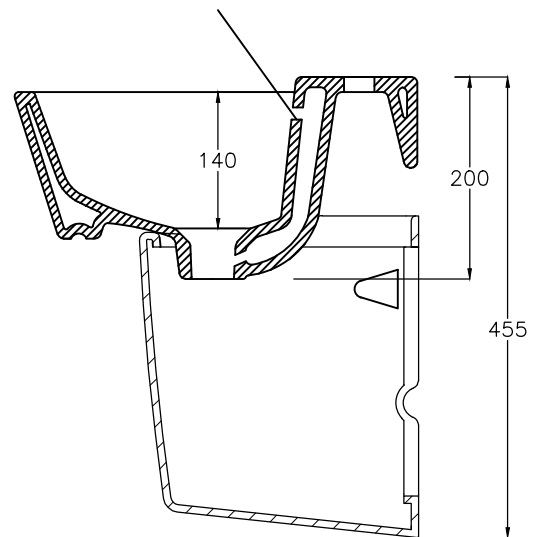
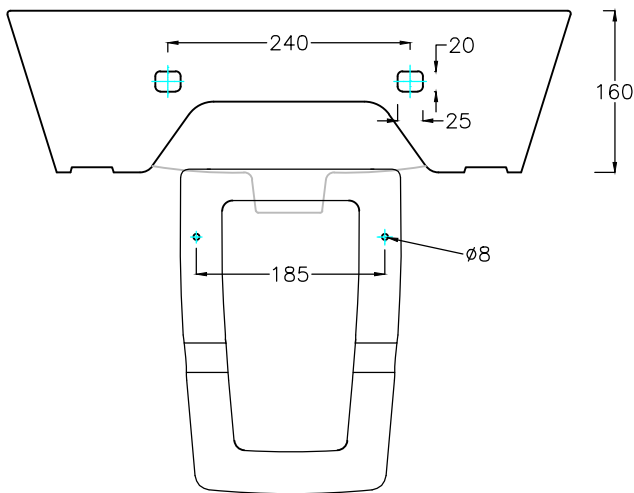


TOP-VIEW

Over-flow Channel(46x10)mm



SECTION-VIEW



BACK-VIEW

Hindware

HSIL LIMITED,
BAHADURGARH

CATALOGUE NO: 1011500

ITEM DESCRIPTION: WASH BASIN "CUBE" with Cedar Half Ped.
(560x400x455)mm

DRAWN:

UNIT:MM

CHECKED:

SCALE:1:1

APPROVED:

DRAWING:NO:WB/227

DATE:27.01.2020

REV:NO:0