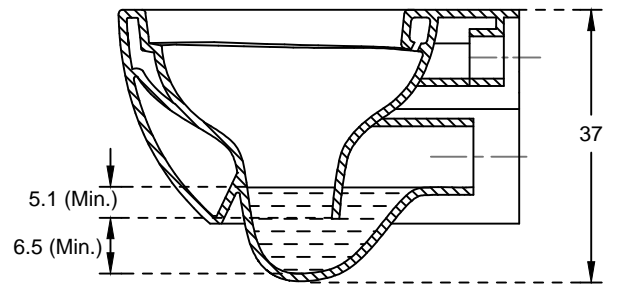
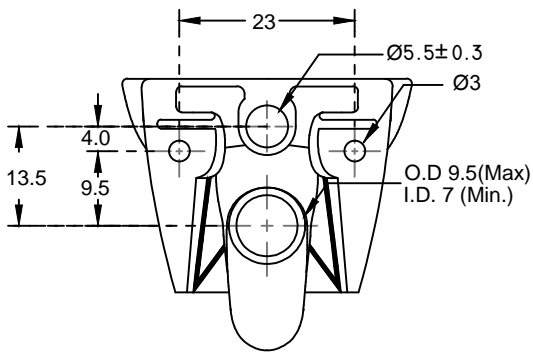


PLAN VIEW




SECTIONAL VIEW



BACK VIEW

MATERIAL - CERAMIC VITREOUS CHINA

NOTE: UNLESS OTHERWISE SPECIFIED  
ALL DIMENSIONS ARE IN CENTIMETERS

		<b>HSIL LIMITED, BAHADURAGARH</b>	
CATALOGUE No.: ITEM DESCRIPTION: EWC WALL MOUNTING LARA RIMLESS (53.5x 38 x 37CM)			
DRAWN:		UNIT: CM	
CHECKED:		SCALE:	
APPROVED:		DRG. No.: WC/049RL	
DATE: 02.07.2015		Rev. No.	