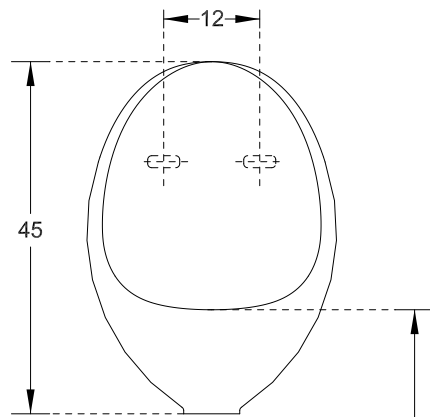
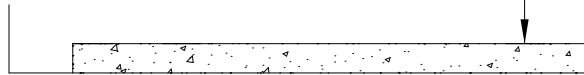


PLAN VIEW



65
(RECOMMENDED HEIGHT
FOR ADULTS)

FLOOR



FRONT ELEVATION

HSIL LIMITED, BAHADURGARH	
CATALOGUE No.: 60005	
ITEM DESCRIPTION: URINAL SMALL IDEAL (32.5 x 33.5 x 45 cm)	
DRAWN:	UNIT: CM
CHECKED:	SCALE: 1:10
APPROVED:	DRG. No. : URN/005 REV. No. : 2
DATE: 07.04.2011	