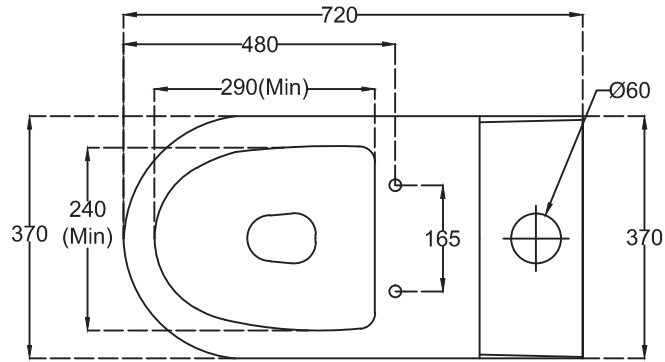
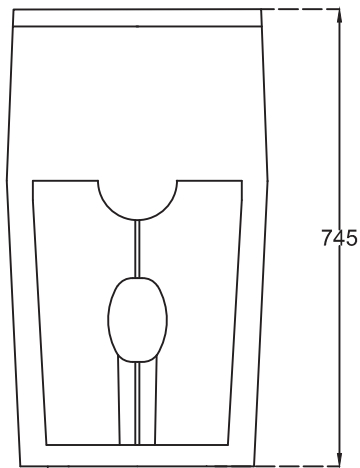


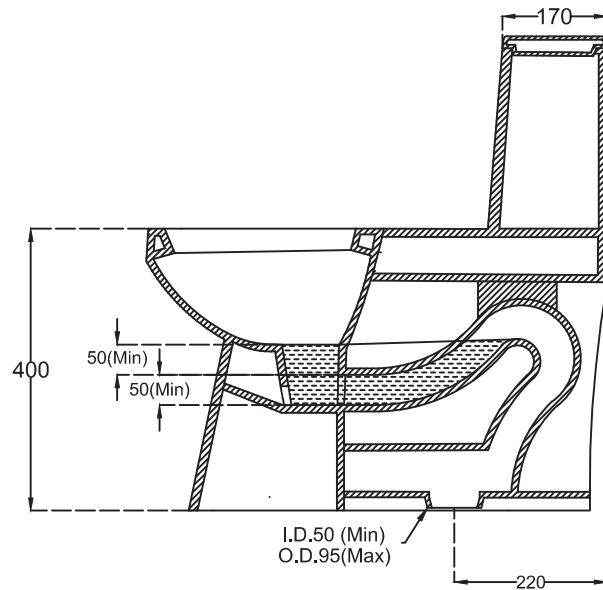
EWC One Piece_Evita (S220)



PLAN VIEW



BACK VIEW



SECTIONAL VIEW

All dimensions are in mm

hindware	
CATALOGUE NO:	20121
PRODUCT:	EWC ONE PIECE EVITA (S220)
SIZE:	720 mm X 370 mm X 745 mm