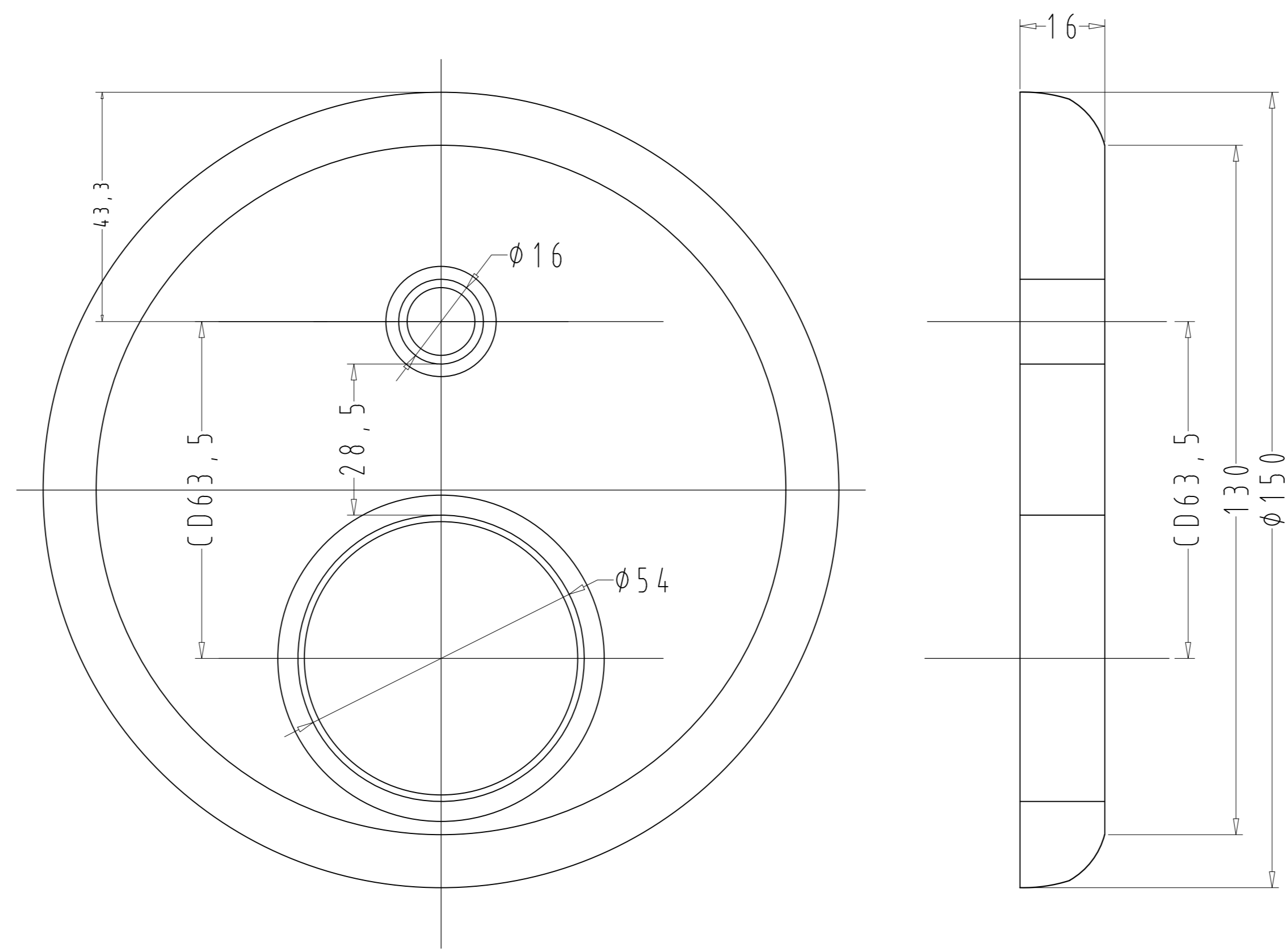
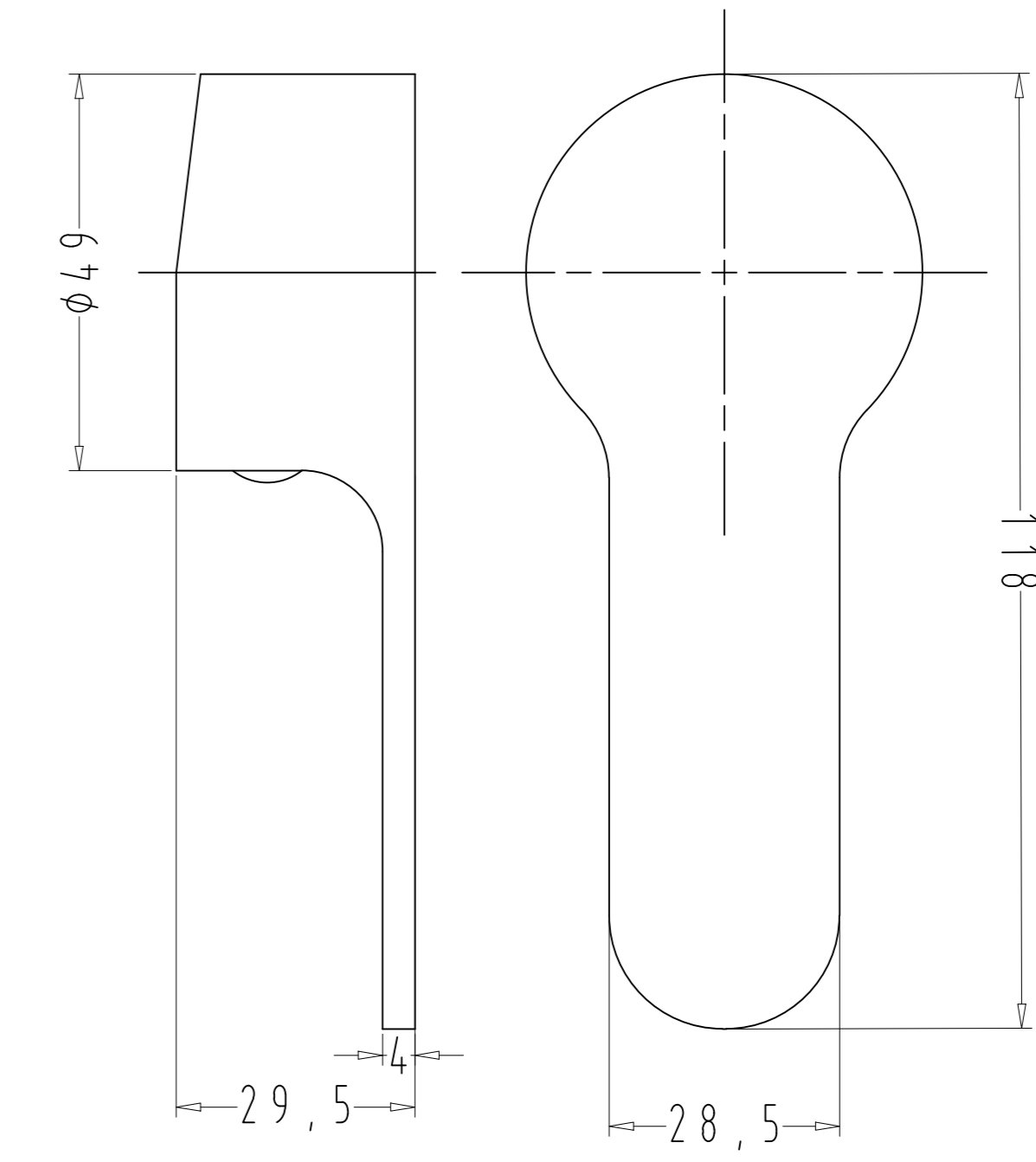


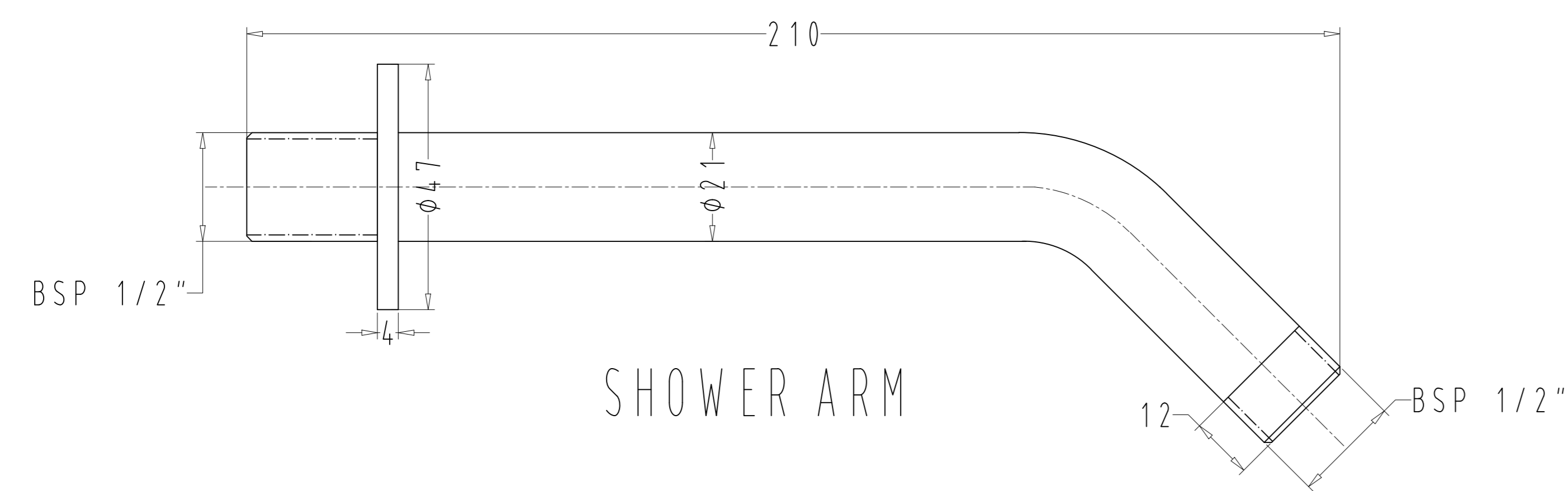
SINGLE LEVER CONCEALED DIVERTOR



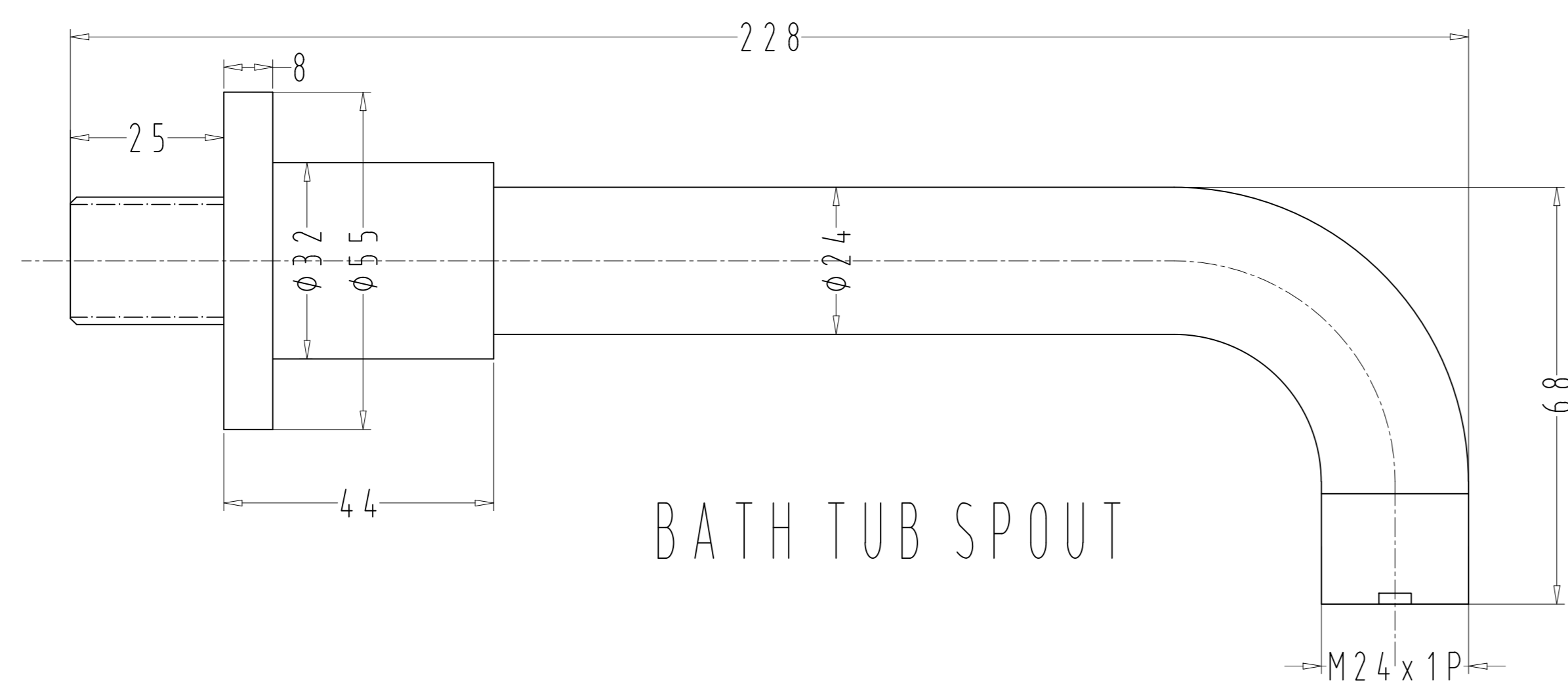
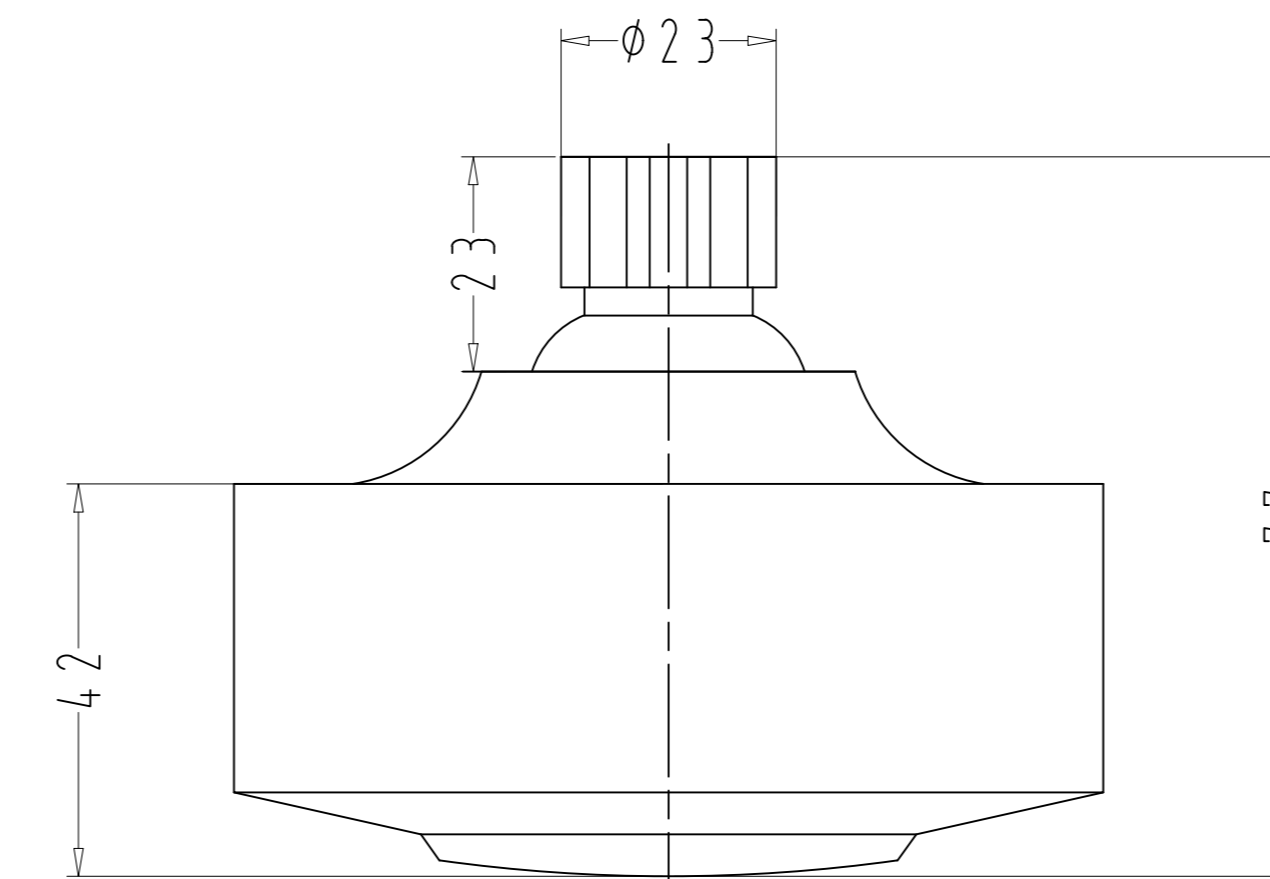
WALL FLANGE-850090



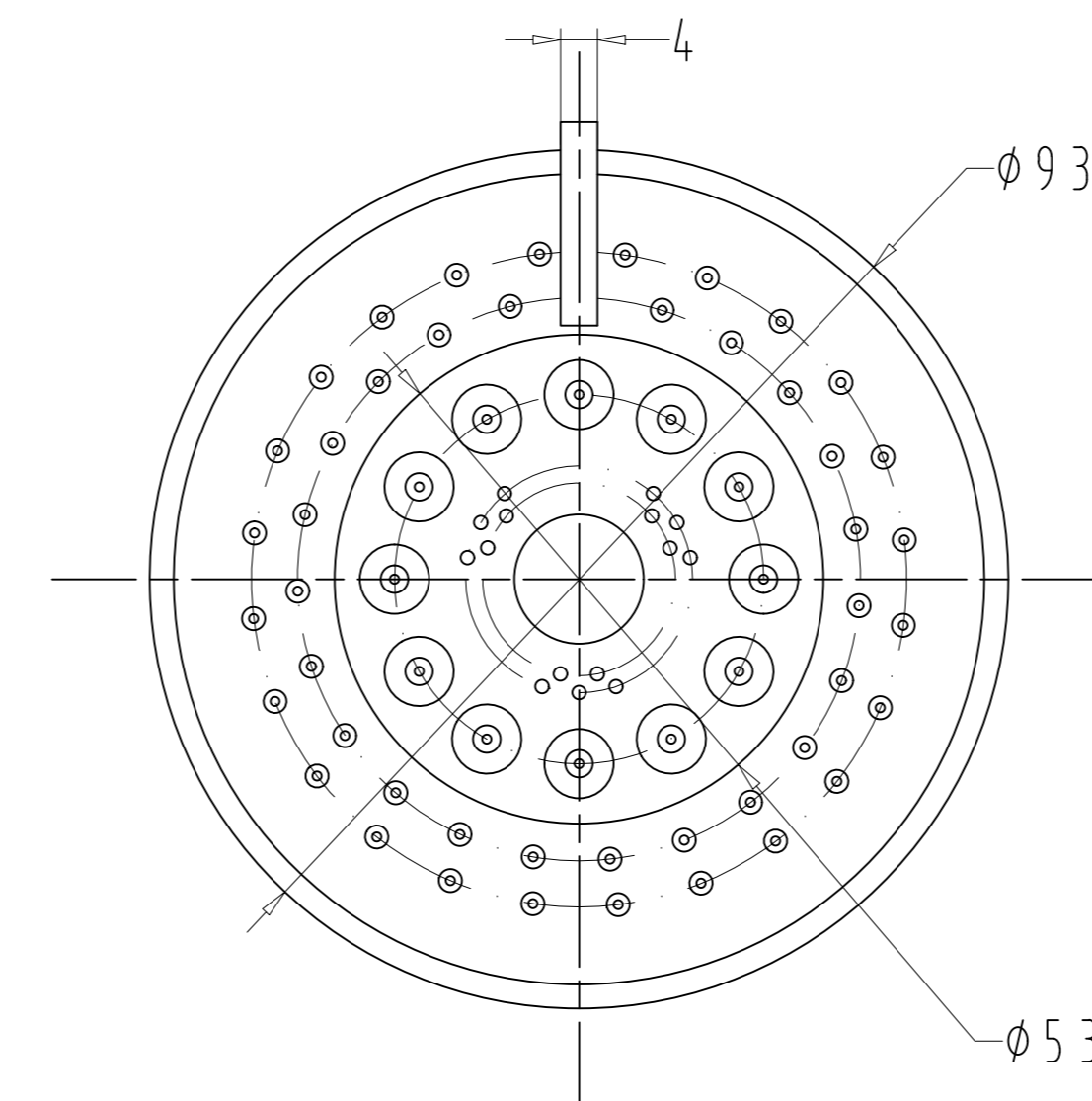
DIVERTOR HANDLE



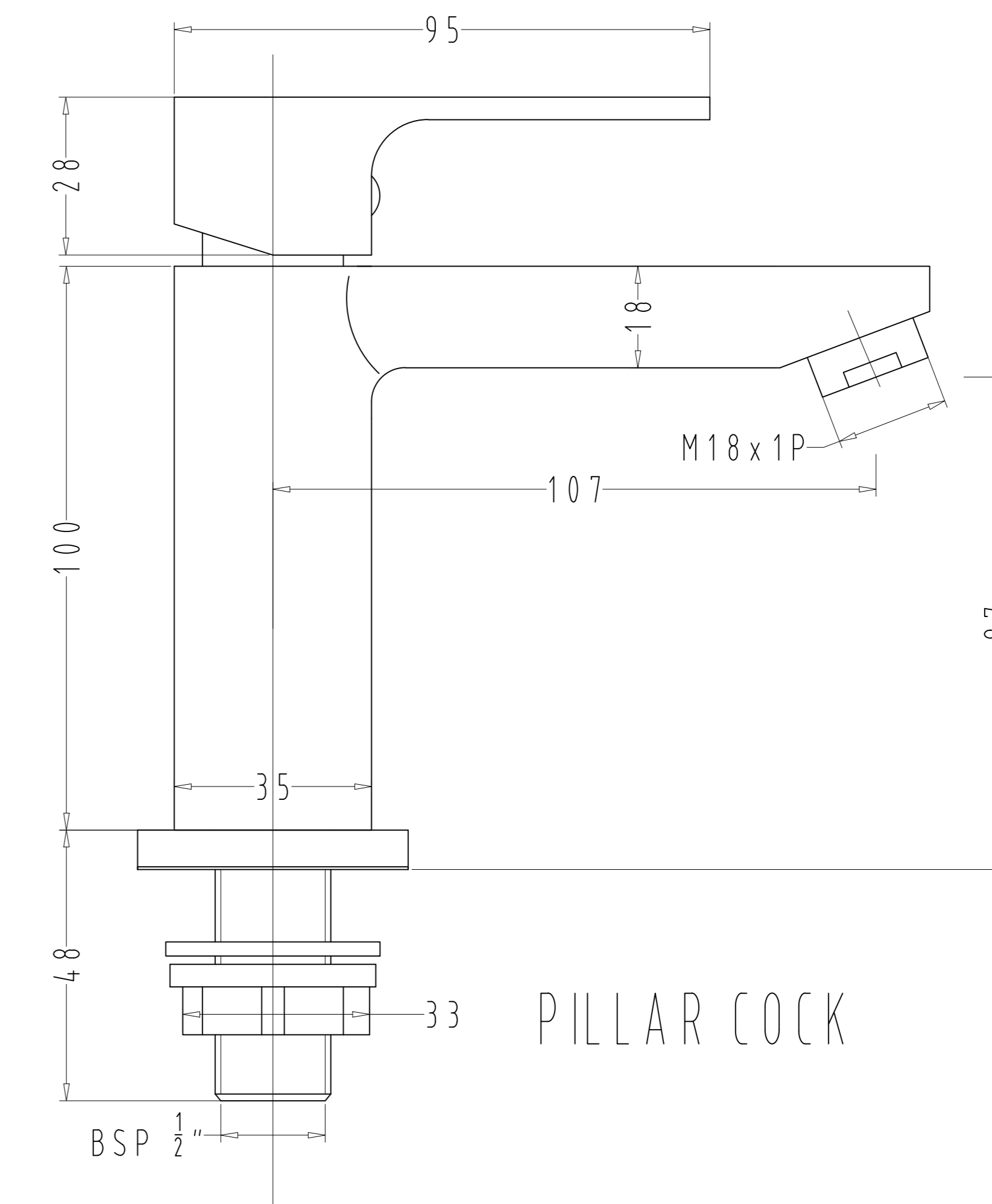
SHOWER ARM



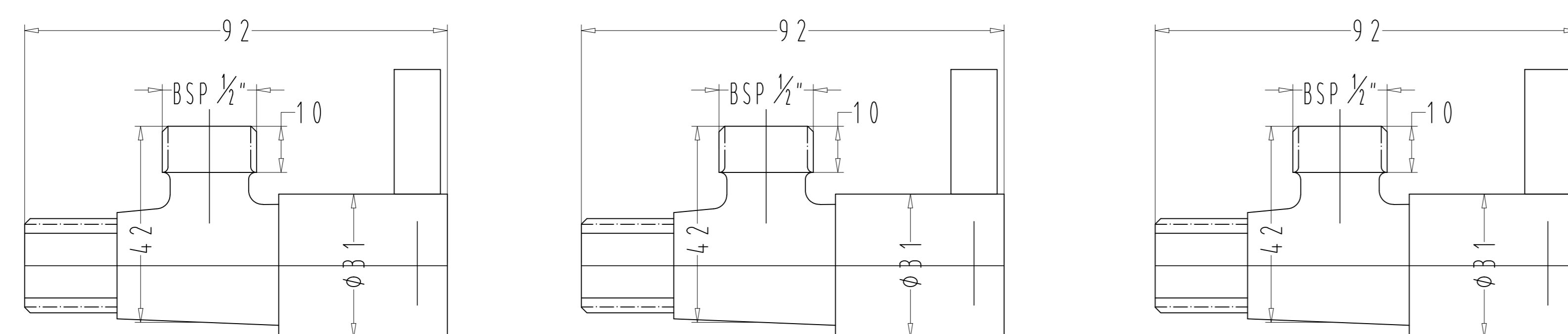
BATH TUB SPOUT



OVER HEAD SHOWER



PILLAR COCK



03 NOS ANGLE VALVE

SPLENDID DUO
 CAT. No. F430002
 SPLENDID DUO SL PILLAR COCK