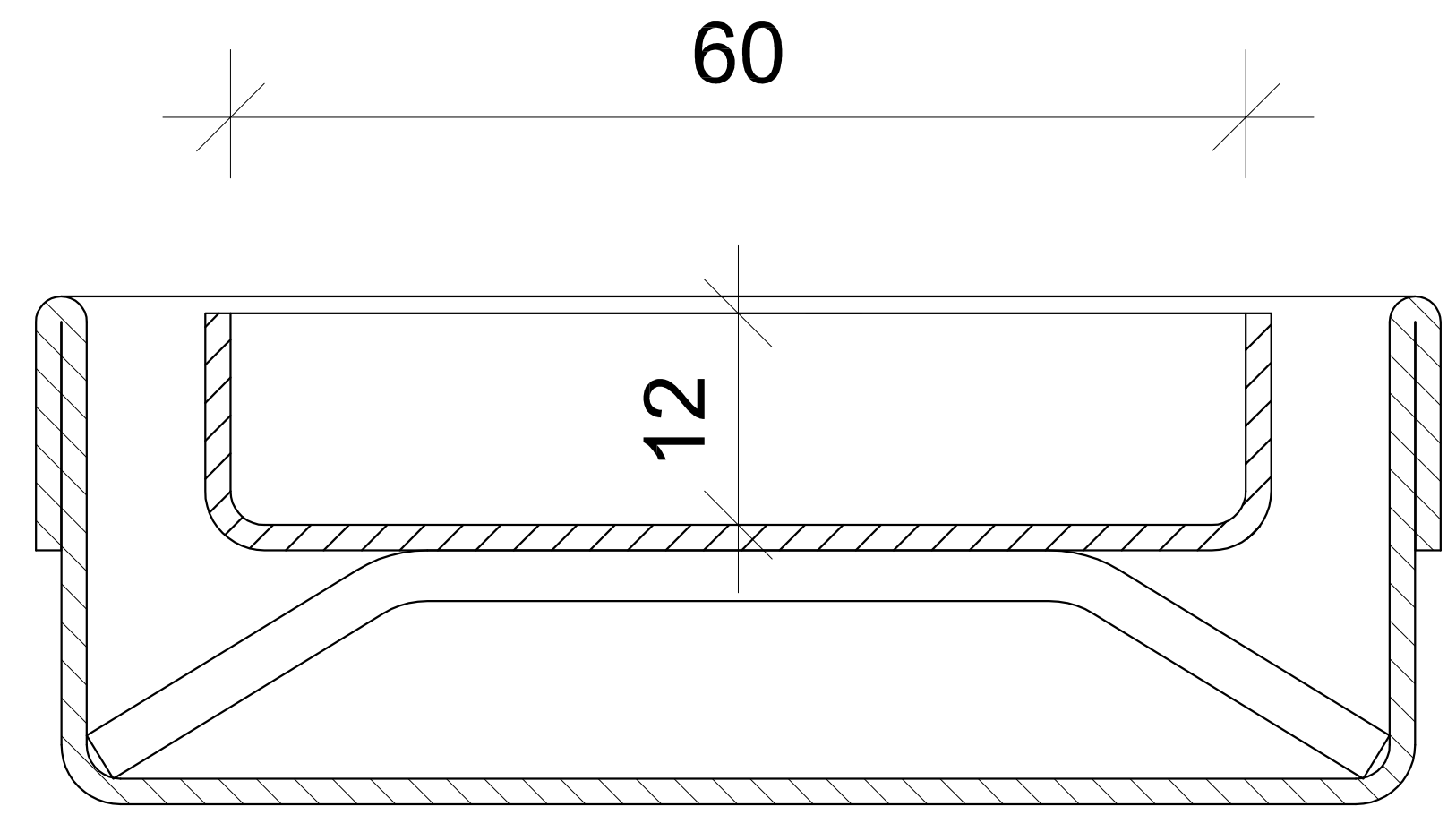
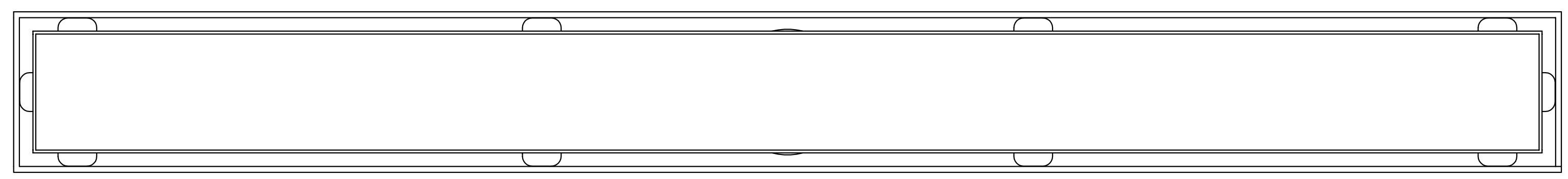


**A - A**  
**5:1**



L=600, 700, 800, 900, 1000, 1100, 1200



84