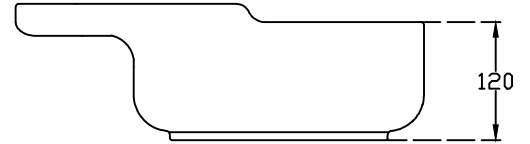
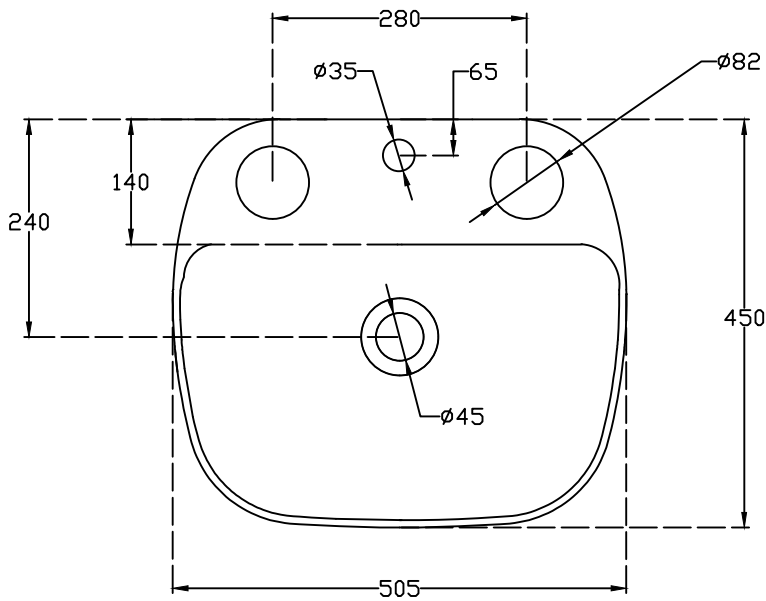


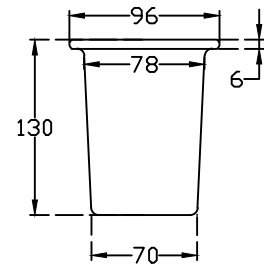
FRONT-ELEVATION



SIDE-VIEW



TOP-VIEW



BRUSH HOLDER

		HINDWARE LIMITED, BAHADURGARH	
CATALOGUE No.: 91223 ITEM DESCRIPTION: ELLIPSE COUNTER-TOP WASH BASIN (450x505x155)			
DRAWN:		UNIT: MM	
CHECKED:		SCALE: 1:10	
APPROVED:		DRG. No.	
DATE: 13/10/2021		Rev. No.: 0	