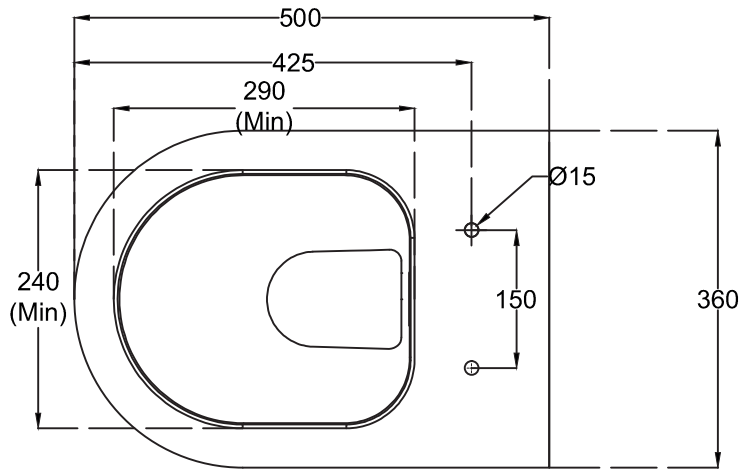
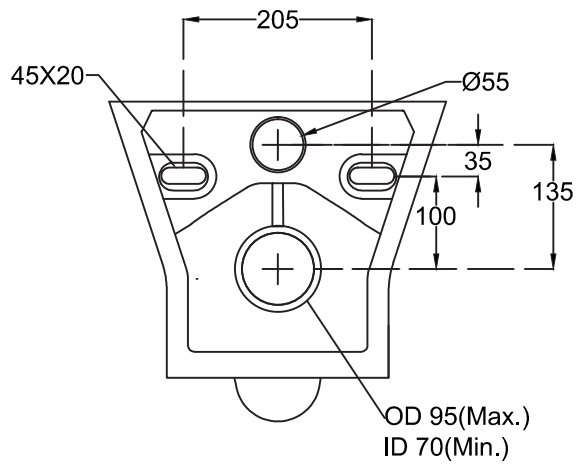


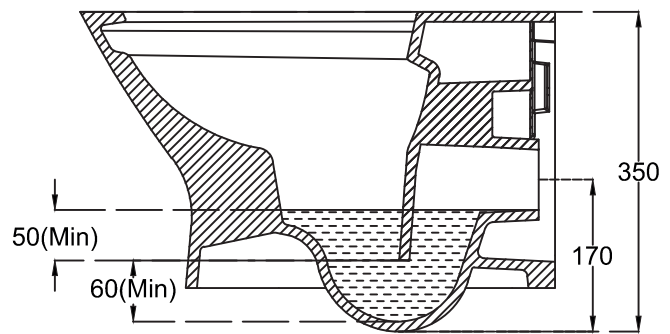
# Ace\_EWC\_WM



PLAN VIEW



BACK VIEW



SECTIONAL VIEW

**hindware**

CATALOGUE NO: 20132

PRODUCT: EWC WM Ace

SIZE: 500 mm X 360 mm X 350 mm