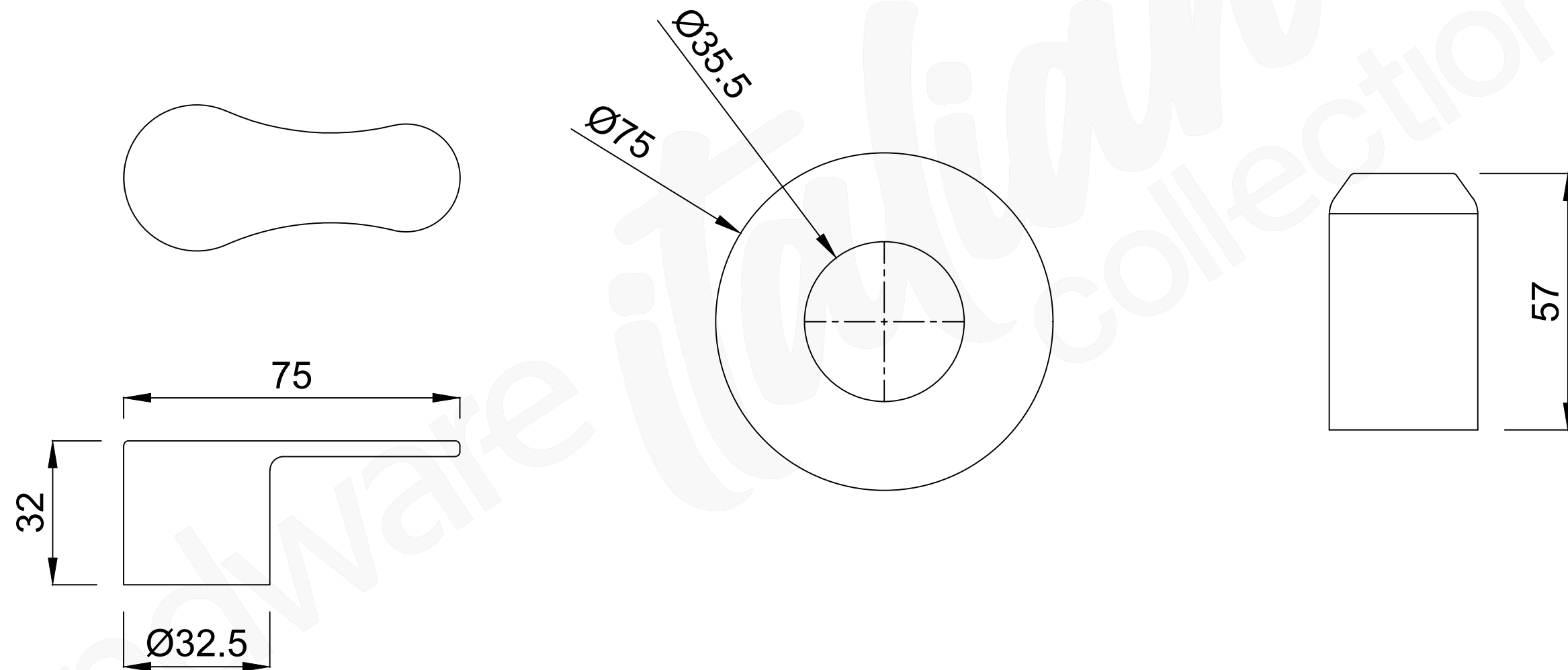


PART DESCRIPTION : EXPOSED KIT FOR 15&20MM CSC

CAT NO. : F640030CP



ALL DIMENSIONS ARE IN MM

LD/CD/RSC09024